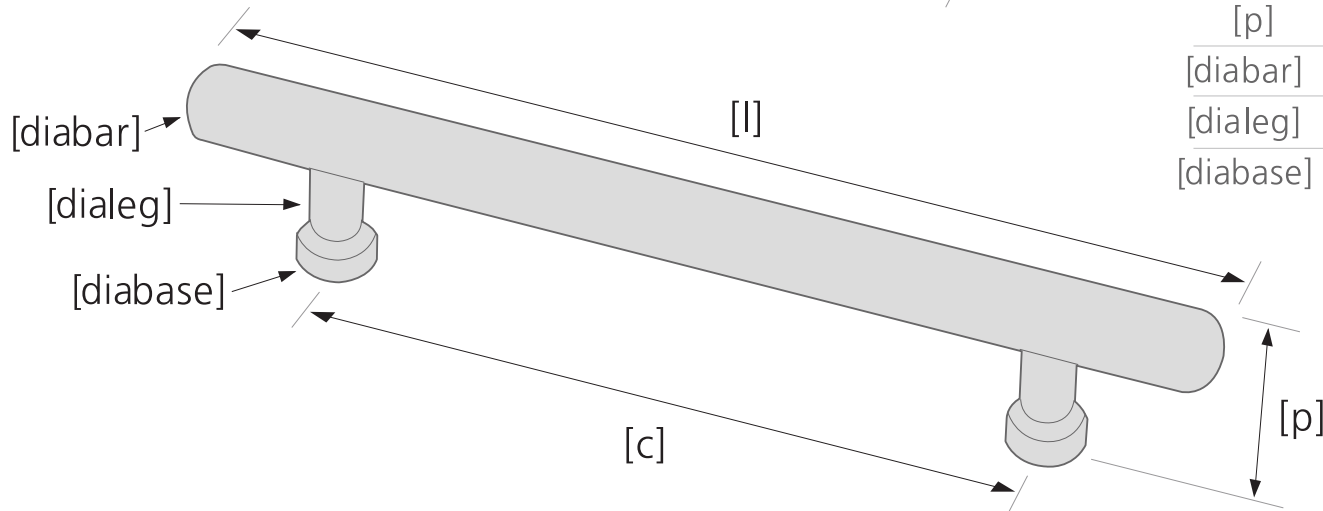
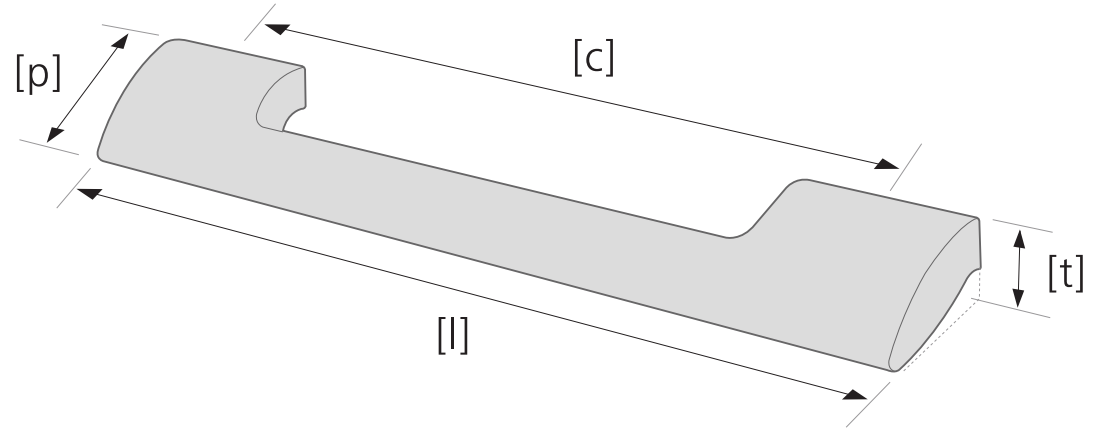
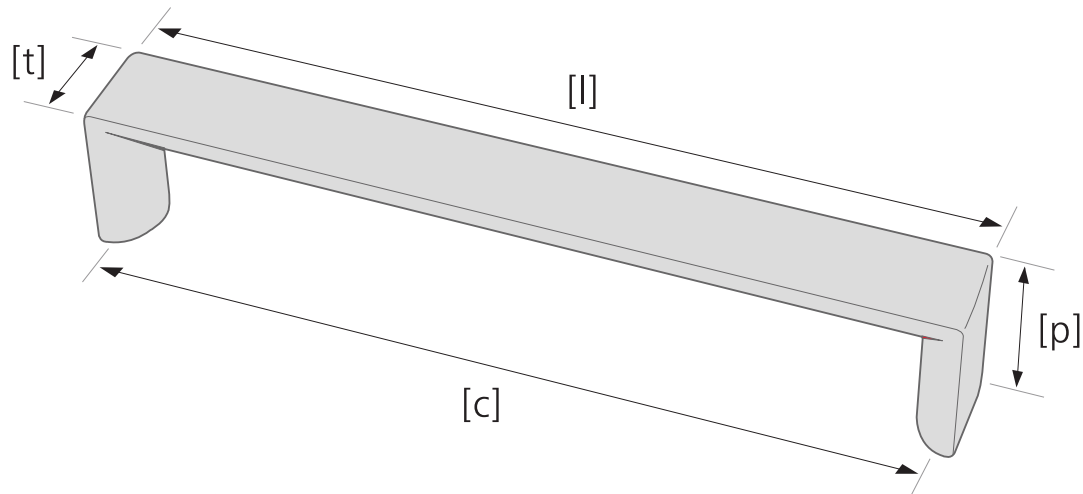


dimension abbreviations



Symbol	Description
[c]	centres
[l]	length (<i>where 'l' is always the greater dimension than 't'</i>)
[t]	thickness
[p]	projection (<i>distance the handle protrudes from the fascia</i>)
[diabar]	diameter of bar
[dialeg]	diameter of leg
[diabase]	diameter of base