

Rigid Kitchen Unit Carcass Specifications

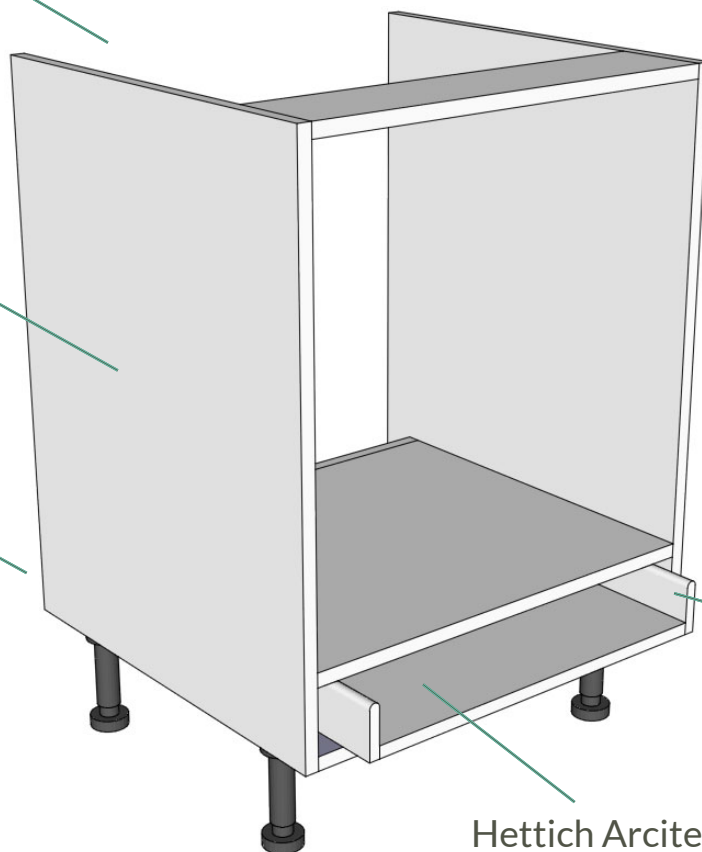
Built Under Oven Housings

No back behind appliance.

Units are 18mm thick colour coordinated Egger board.

50mm service void.

Supplied with 150mm plastic adjustable legs (minimum 125mm to maximum 170mm) and plinth clips.



PVC edged all round.

Attachment clips included for for units with 115mm filler panels

Hettich Arcitech drawer box system fitted with soft close runners, steel sides and 16mm MFC base and back.

Drawers are 450mm deep in standard kitchen units and have a weight capacity of 30kg

Units are supplied pre-built for durability and easy installation.



KITCHENDOORHUB

www.kitchendoorhub.com

0330 135 9191 sales@kitchendoorhub.com